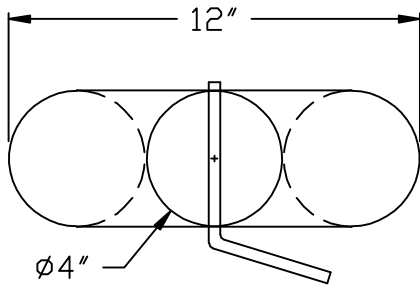


# RUTLAND GUTTER SUPPLY LLC

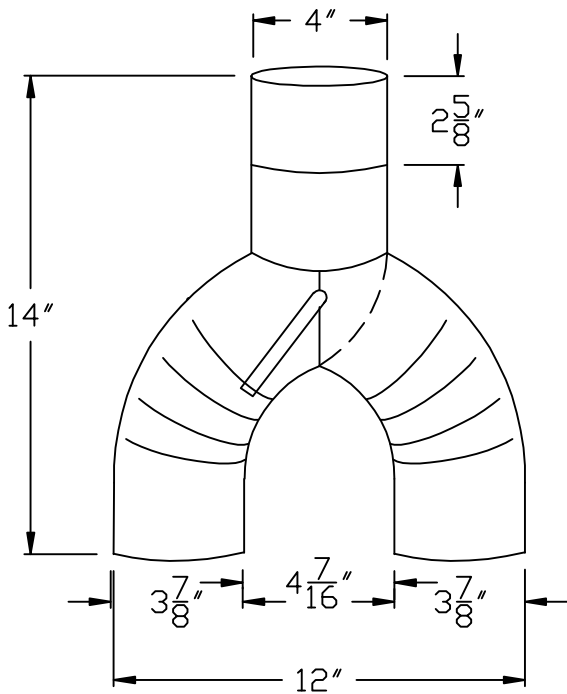
rutlandguttersupply@yahoo.com Ph: 407-859-1119 Fax: 407-859-1123



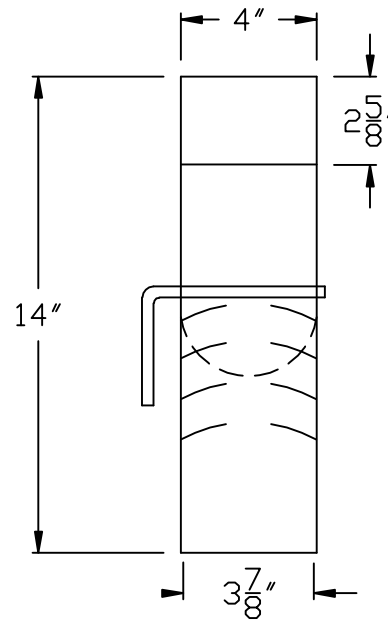
**PLAN VIEW**

## 4" CRIMPED ROUND DIVERTER

**\*CUSTOM SIZES AVAILABLE\*  
(ALUMINUM OR COPPER ONLY)**



**FRONT VIEW**



**SIDE VIEW**

**Company:**

**Item: 4" Round Crimped Diverter**

**Invoice:**

**Material:**

**PO#:**

**Notes:**

**Architect:**

**Contractor:**

**Date:**

**Approved by:**

**Signature:**

**CUSTOM ORDERS CAN NOT BE RETURNED**